

# LIVE

Guy Bonneville

# BLAM

DRIVEN BY PASSION

# 165.45

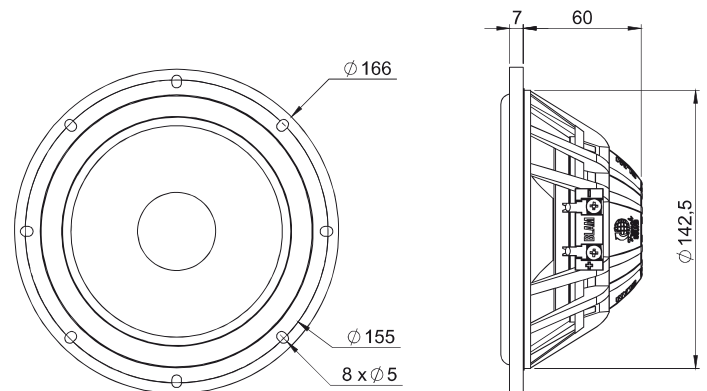
## Woofer

- Shallow 6-1/2 " (165 mm) woofer
- Max power 150 W / Nom. power 75 W
- Frequency response 60 Hz - 6 KHz
- Impedance 3 Ohms

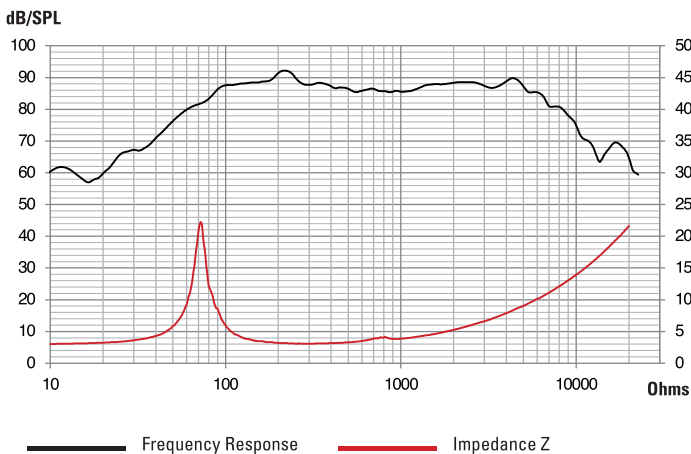
Die cast and machined aluminium basket - Ultra rigid carbon fiber cone with circular grooves to strengthen the cone - IIR surround - Long life « conex » spider - 34 mm Voice Coil, fiber glass former - Hi grade neodymium magnet, precision machined pole piece and T yoke

### TECHNICAL SPECIFICATIONS

|                                  |                |                 |
|----------------------------------|----------------|-----------------|
| <b>Component</b>                 | Woofer         |                 |
| <b>Max power</b>                 | 150 W          |                 |
| <b>Nominal power</b>             | 75 W           |                 |
| <b>Impedance</b>                 | 3 Ω            |                 |
| <b>Freq. Response</b>            | 60 Hz - 25 KHz |                 |
| <b>Sensitivity (2,83V/1m)</b>    | 91,2 dB        |                 |
| <b>Magnet</b>                    | Neodymium      |                 |
| <b>Magnet size Ø x h</b>         | 30 x 16 mm     | 1,181" x 0,630" |
| <b>Total driver displacement</b> | 0,139 l        | 0,005 cf        |
| <b>Weight of one component</b>   | 0,563 kg       | 1,241 lb        |
| <b>Voice coil Ø</b>              | 34 mm          | 1,34"           |
| <b>Voice coil height</b>         | 12 mm          | 0,472"          |
| <b>Cone</b>                      | Carbone fiber  |                 |



### FREQUENCY RESPONSE / IMPEDANCE



### THIELE-SMALL PARAMETERS

|                             |                        |
|-----------------------------|------------------------|
| <b>effective Ø (d)</b>      | 128 mm                 |
| <b>Sd</b>                   | 128,68 cm <sup>2</sup> |
| <b>Xmax</b>                 | 3,50 mm                |
| <b>Re</b>                   | 3 Ω                    |
| <b>Fs</b>                   | 72,18 Hz               |
| <b>Le</b>                   | 126,46 kHz             |
| <b>L2</b>                   | 204,46 µH @10 kHz      |
| <b>Vas</b>                  | 8,25 L                 |
| <b>Mms</b>                  | 13,71 g                |
| <b>Cms</b>                  | 0,000355 m/N           |
| <b>BL</b>                   | 4,36 Tm                |
| <b>Qts</b>                  | 0,84                   |
| <b>Qes</b>                  | 0,98                   |
| <b>Qms</b>                  | 6,10                   |
| <b>Sensitivity (dB/W/m)</b> | 86,9 dB                |

contact@blam-audio.fr  
www.facebook.com/blamaudio  
www.blam-audio.fr