

LIVE

Guy Bonneville
BLAM
DRIVEN BY PASSION

165.100 / 165.300

Woofer

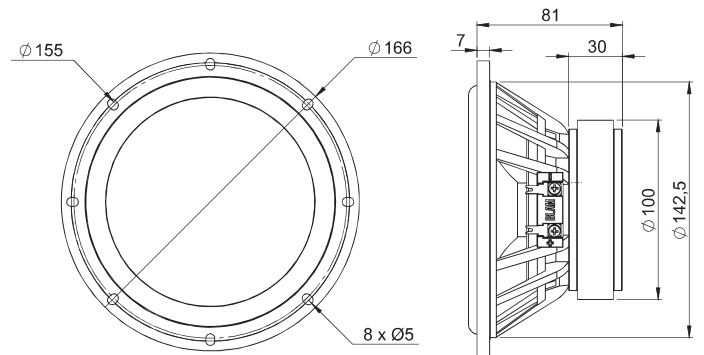
- Woofer 6-1/2 " (165 mm)
- Max power 250 W / Nom. power 125 W
- Frequency response 55 Hz - 8 KHz
- Impedance 3 Ohms

Die cast and machined aluminium basket - Ultra rigid carbon fiber cone - IIR surround - Long life « conex » spider - 38 x 15 mm Voice Coil, fiber glass former - 100 mm x 20 mm Oversized Magnetic motor - Machined pole pieces - Gold-plated terminal.

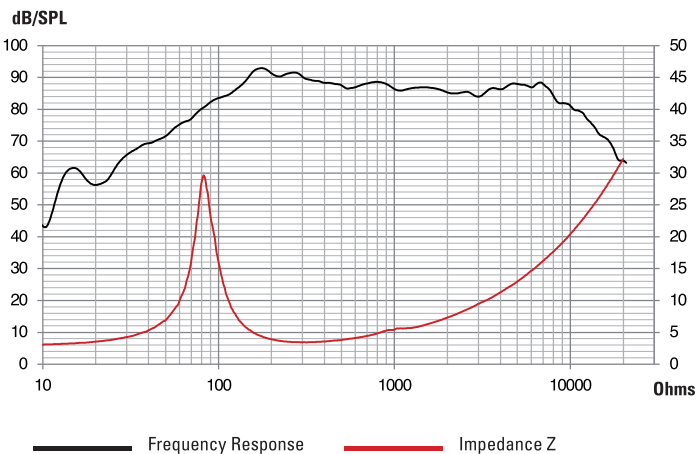


TECHNICAL SPECIFICATIONS

Component	Woofer	
Max power	250 W	
Nominal power	125 W	
Impedance	3 Ω	
Freq. Response	55 Hz - 8 KHz	
Sensitivity (2,83V/1m)	93 dB	
Magnet	Ferrite	
Magnet size Ø x h	100 x 20 mm	3,937 "x 0,787 "
Total driver displacement	0,3 l	0,011 cf
Weight of one component	1 kg	2,205 lb
Voice coil Ø	34 mm	1,34"
Voice coil height	15 mm	0,59"
Cone	Carbone fiber	



FREQUENCY RESPONSE / IMPEDANCE



THIELE-SMALL PARAMETERS

effective Ø (d)	128 mm
Sd	128,68 cm ²
Xmax	5 mm
Re	3 Ω
Fs	82,13 Hz
Le	194,45 µH @ 1 kHz
Le	361,33 µH @10 kHz
Vas	4,56 L
Mms	19,15 g
Cms	0,000196 m/N
BL	7,48 Tm
Qts	0,48
Qes	0,53
Qms	4,70
Sensitivity (dB/W/m)	88,6 dB